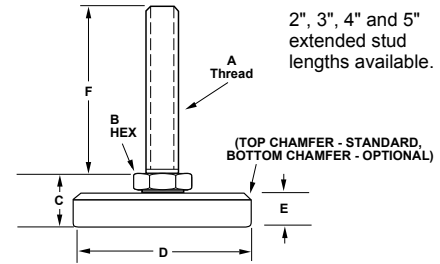


**POLY BASE - STEEL & STAINLESS
STEEL (SS) STUD LEVELERS -**

These medium duty low-profile levelers are cost effective in applications that do not require a steel swivel base. The steel stud is zinc plated and the base is black polypropylene. Optional top slot (add -SL). For bottom slot (add -SLB), and for both top and bottom slot (add-SL2). Also available with top hex (add -HX) and heat treated stud (add - HT) to part number.

For extended stud lengths, (add x2, x3, x4, x5 to P/N). polyethylene also available (add-PE). Both materials available in white (change B to W in P/N). Other colors available.



2", 3", 4" and 5" extended stud lengths available.

STEEL & STAINLESS STEEL

DELTRIN

STEEL & STAINLESS STEEL

POLY BASE STUD LEVELERS

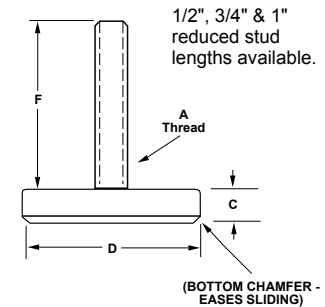
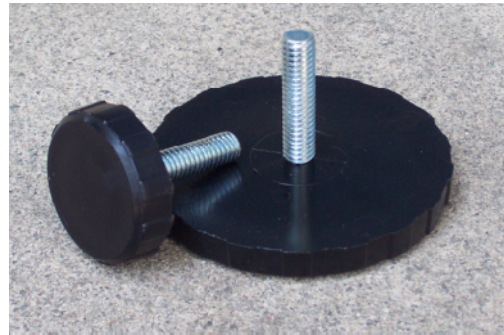
KNOB STYLE GLIDES

STEEL & STAINLESS STEEL LEVELING DEVICES								
STEEL	SS	LOAD RATING	A	B	C	D	E	F
IL7-6B	IL7-6BS	800 Lbs	3/8-16	1/2	11/16	1	3/8	1-9/16
IL7-7B	IL7-7BS	800 Lbs	1/2-13	1/2	11/16	1	3/8	1-9/16
IL7-8B	IL7-8BS	800 Lbs	5/8-11	5/8	11/16	1	3/8	1-9/16
IL7-9B	IL7-9BS	800 Lbs	3/4-10	3/4	11/16	1	3/8	1-9/16
IL8-6B	IL8-6BS	1000 Lbs	3/8-16	1/2	11/16	1-1/2	3/8	1-9/16
IL8-7B	IL8-7BS	1000 Lbs	1/2-13	1/2	11/16	1-1/2	3/8	1-9/16
IL8-8B	IL8-8BS	1000 Lbs	5/8-11	5/8	11/16	1-1/2	3/8	1-9/16
IL8-9B	IL8-9BS	1000 Lbs	3/4-10	3/4	11/16	1-1/2	3/8	1-9/16
IL7A-6B	IL7A-6BS	1000 Lbs	3/8-16	1/2	11/16	2	3/8	1-9/16
IL7A-7B	IL7A-7BS	1000 Lbs	1/2-13	1/2	11/16	2	3/8	1-9/16
IL7A-8B	IL7A-8BS	1000 Lbs	5/8-11	5/8	11/16	2	3/8	1-9/16
IL7A-9B	IL7A-9BS	1000 Lbs	3/4-10	3/4	11/16	2	3/8	1-9/16
IL7M-6B	IL7M-6BS	1000 Lbs	3/8-16	1/2	11/16	2-1/2	3/8	1-9/16
IL7M-7B	IL7M-7BS	1000 Lbs	1/2-13	1/2	11/16	2-1/2	3/8	1-9/16
IL7M-8B	IL7M-8BS	1000 Lbs	5/8-11	5/8	11/16	2-1/2	3/8	1-9/16
IL7M-9B	IL7M-9BS	1000 Lbs	3/4-10	3/4	11/16	2-1/2	3/8	1-9/16
IL8A-6B	IL8A-6BS	1000 Lbs	3/8-16	1/2	11/16	3	3/8	1-9/16
IL8A-7B	IL8A-7BS	1000 Lbs	1/2-13	1/2	11/16	3	3/8	1-9/16
IL8A-8B	IL8A-8BS	1000 Lbs	5/8-11	5/8	11/16	3	3/8	1-9/16
IL8A-9B	IL8A-9BS	1000 Lbs	3/4-10	3/4	11/16	3	3/8	1-9/16

**KNOB STYLE STEEL & STAINLESS
STEEL GLIDES -**

These low profile, solid bottom, large diameter glides are ideal for leveling and stabilizing furniture, instruments, and appliances without the need for tools. Useful in both feet and knob applications. The steel stud is zinc plated and the base or knob is black polypropylene.

For shorter stud lengths, (add x1/2, x3/4, or x1 to P/N). The optional polyvinyl base (add -PVC) is non-skid, non-marring while providing electrical isolation and vibration damping. (reduce load rating to 100 lbs.) Polyethylene also available (add -PE). All materials available in white (change B to W in P/N). Other colors available on request.



1/2", 3/4" & 1" reduced stud lengths available.

STEEL & STAINLESS STEEL KNOB STYLE GLIDES					
STEEL	SS	LOAD RATING	A	C	F
IL80-4BX125	IL80-4BSX125	100 Lbs	1/4-20	3/8	1-1/4
IL80-5BX125	IL80-5BSX125	250 Lbs	5/16-18	3/8	1-1/4
IL80-6BX125	IL80-6BSX125	500 Lbs	3/8-16	3/8	1-1/4
IL82-4BX125	IL82-4BSX125	100 Lbs	1/4-20	3/8	1-1/4
IL82-5BX125	IL82-5BSX125	250 Lbs	5/16-18	3/8	1-1/4
IL82-6BX125	IL82-6BSX125	500 Lbs	3/8-16	3/8	1-1/4
IL84-4BX125	IL84-4BSX125	100 Lbs	1/4-20	3/8	1-1/4
IL84-5BX125	IL84-5BSX125	250 Lbs	5/16-18	3/8	1-1/4
IL84-6BX125	IL84-6BSX125	500 Lbs	3/8-16	3/8	1-1/4
IL86-4BX125	IL86-4BSX125	100 Lbs	1/4-20	3/8	1-1/4
IL86-5BX125	IL86-5BSX125	250 Lbs	5/16-18	3/8	1-1/4
IL86-6BX125	IL86-6BSX125	500 Lbs	3/8-16	3/8	1-1/4
IL88-4BX125	IL88-4BSX125	100 Lbs	1/4-20	3/8	1-1/4
IL88-5BX125	IL88-5BSX125	250 Lbs	5/16-18	3/8	1-1/4
IL88-6BX125	IL88-6BSX125	500 Lbs	3/8-16	3/8	1-1/4